



1-800-773-0062  
www.marianinc.com

# 3M™ Bumpon™ Protective Products

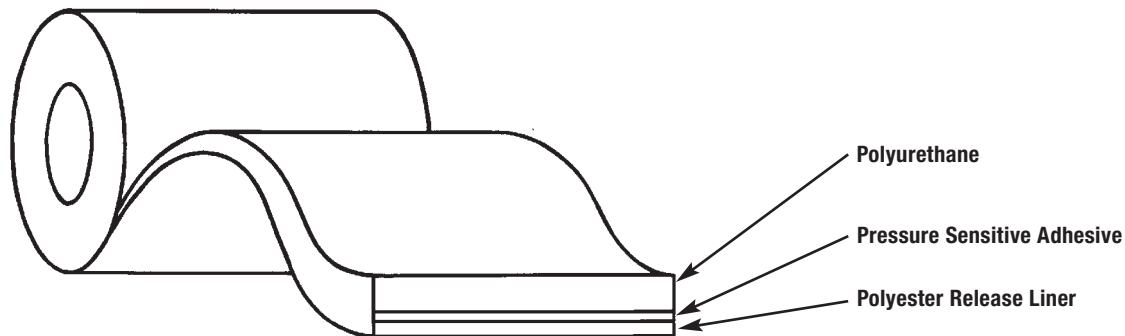
## Resilient Rollstock

SJ5200 • SJ5800 • SJ5900 • SJ6000 • SJ6200 Series

### Product Description

3M™ Bumpon™ Resilient Rollstock Products are opaque, colored polyurethane materials produced with aggressive pressure-sensitive adhesives.

3M™ Bumpon™ Resilient Rollstock Product	Thickness		Polyurethane Hardness, Shore M	Polyurethane Surface Finish	Adhesive Type
	Inches	mm			
SJ5216	1/16	1.6	36 (soft foam)	matte	R-25 (synthetic rubber)
SJ5208	1/8	3.2	29 (soft foam)		
SJ5832	1/32	0.8	72	matte	R-30 (natural rubber)
SJ5816	1/16	1.6	72		
SJ5808	1/8	3.2	72		
SJ5916	1/16	1.6	40 (medium foam)	matte	A-20 (acrylic)
SJ5908	1/8	3.2	36 (medium foam)		
SJ5904	1/4	6.4	36 (medium foam)		
SJ6032	1/32	0.8	72	matte	A-20 (acrylic)
SJ6016	1/16	1.6	72		
SJ6008	1/8	3.2	72		
SJ6232	1/32	0.8	72	matte	R-25 (synthetic rubber)
SJ6216	1/16	1.6	72		
SJ6208	1/8	3.2	72		



## Features

- Can be die cut to a variety of shapes and sizes.
- Excellent skid-resistance, high coefficient of friction.
- Excellent resistance to marring or staining.\*
- Long aging resiliency – will not crack or harden.\*
- Excellent cushioning properties.
- Excellent abrasion resistance.
- Vibration and shock dampening.
- Easy application – pressure-sensitive backing.

\*Resulting from a urethane composition which contains no plasticizers.

## Application Ideas

- Die cut into circles or squares for use as skid-resistant feet on hand held or desktop computers, calculators, electric housewares, electronic equipment, desk top items and medical devices.
- Die cut for gasket application.
- Skid-resistant surface on floor.
- Cushions or spacers within electronic devices.
- Selective masking for sandblast operation.
- Spacer or stop to prevent surface damage.
- Anti-rattle spacer to fill gaps, dampen noise and reduce vibration.
- Door kick pads.
- Corner protection strips.
- Roll covering for textile industry and other web feed machinery.
- Die cut cushioning stop for cabinetry (3M™ Bumpon™ Resilient Rollstock SJ5200 and SJ5900 Foam).

## Product Construction

3M™ Bumpon™ Resilient Rollstock Series														
	SJ5200			SJ5800			SJ5900			SJ6000			SJ6200	
<b>Elastomer</b>	Polyurethane (foam)			Polyurethane (solid)			Polyurethane (foam)			Polyurethane (solid)			Polyurethane (solid)	
<b>Elastomer Finish</b>	matte			matte			matte			matte			matte	
<b>Release Liner</b>	4 mil, silicone coated, translucent polyester (PET), with printed 3M logo			4 mil, silicone coated, translucent polyester (PET), with printed 3M logo			4 mil, silicone coated, translucent polyester (PET), with printed 3M logo			4 mil, silicone coated, translucent polyester (PET), with printed 3M logo			4 mil, silicone coated, translucent polyester (PET), with printed 3M logo	
<b>Adhesive</b>	R-25 (synthetic rubber)			R-30 (natural rubber)			A-20 (acrylic)			A-20 (acrylic)			R-25 (synthetic rubber)	
3M™ Bumpon™ Resilient Rollstock Product														
	SJ5216	SJ5208	SJ5832	SJ5816	SJ5808	SJ5916	SJ5908	SJ5904	SJ6032	SJ6016	SJ6008	SJ6232	SJ6216	SJ6208
<b>Color</b>	Light Brown	Light Brown	Black Brown	Black Brown	Black Brown	Black	Black	Black	Black Brown	Black Brown	Black Brown	Black	Black	Black
<b>Thickness* in.</b>	1/16	1/8	1/32	1/16	1/8	1/16	1/8	1/4	1/32	1/16	1/8	1/32	1/16	1/8
<b>in.</b>	0.062	0.125	0.031	0.062	0.125	0.062	0.125	0.250	0.031	0.062	0.125	0.031	0.062	0.125
<b>(mm)</b>	(1.6)	(3.2)	(0.8)	(1.6)	(3.2)	(1.6)	(3.2)	(6.4)	(0.8)	(1.6)	(3.2)	(0.8)	(1.6)	(3.2)
<b>Thickness ± in.</b>	0.010	0.015	0.005	0.007	0.010	0.010	0.015	0.020	0.005	0.007	0.010	0.005	0.007	0.010
<b>Tolerance ± (mm)</b>	(0.25)	(0.38)	(0.13)	(0.18)	(0.25)	(0.25)	(0.38)	(0.50)	(0.13)	(0.18)	(0.25)	(0.13)	(0.18)	(0.25)
<b>Roll Length yd.</b>	36	36	72	36	36	36	36	18	72	36	36	72	36	36
<b>Roll Width**</b>														
<b>Standard in.</b>	4.5	4.5	4.5	4.5	4.5	4.5	4.5	4.5	4.5	4.5	4.5	4.5	4.5	4.5
<b>(mm)</b>	(114.3)	(114.3)	(114.3)	(114.3)	(114.3)	(114.3)	(114.3)	(114.3)	(114.3)	(114.3)	(114.3)	(114.3)	(114.3)	(114.3)
<b>Minimum in.</b>	0.5	0.5	0.5	0.5	1	0.5	0.5	1	0.5	0.5	1	0.5	0.5	1
<b>(mm)</b>	(12.7)	(12.7)	(12.7)	(12.7)	(25.4)	(12.7)	(12.7)	(25.4)	(12.7)	(12.7)	(25.4)	(12.7)	(12.7)	(25.4)
<b>Maximum in.</b>	9	9	9	9	9	9	9	9	9	9	9	9	9	9
<b>(mm)</b>	(228.6)	(228.6)	(228.6)	(228.6)	(228.6)	(228.6)	(228.6)	(228.6)	(228.6)	(228.6)	(228.6)	(228.6)	(228.6)	(228.6)
<b>Slitting ± in.</b>	1/32		1/32			1/32			1/32			1/32		
<b>Tolerance ± in.</b>	0.031		0.031			0.031			0.031			0.031		
<b>± (mm)</b>	(0.8)		(0.8)			(0.8)			(0.8)			(0.8)		

\*ASTM D-3767 procedure A (3.2 psi) measured without liner. \*\*Non-standard sizes may be subject to minimum order requirements.

### Custom Rollstock Products

**Custom Thickness:** 3M can customize thickness to your specifications.

**Note:** The capability range for 3M™ Bumpon™ Resilient Rollstock Series SJ5800, SJ6000, and SJ6200 is 1/32 in. (0.031) minimum and 1/4 in. (0.250) maximum.

The capability range for 3M™ Bumpon™ Resilient Rollstock Series SJ5900 is 1/16 in. (0.062) minimum and 5/16 in. (0.312) maximum.

**Custom Color:** 3M can match most colors to your specifications.

**Note:** Special products require a qualifying minimum order quantity, and one-time color matching charge. For more information please contact your local 3M sales rep or distributor.

## Typical Physical Properties and Performance Characteristics

**Note:** The following technical information and data should be considered representative or typical only and should not be used for specification purposes.

Property	Test Method	3M™ Bumpon™ Resilient Rollstock Series				
		SJ5200	SJ5800	SJ5900	SJ6000	SJ6200
<b>Hardness, Shore M</b>	ASTM-D-2240	36 (SJ5216) 29 (SJ5208)	72	40 (SJ5916) 36 (SJ5908, SJ5904)	72	72
<b>Approximate Density, lb./ft.<sup>3</sup> (g/cm<sup>3</sup>)</b>		4.0 (0.64)	80 (1.3)	40 (0.64)	80 (1.3)	80 (1.3)
<b>Kinetic Coefficient of Friction*</b>	ASTM-D-1894					
	Stainless Steel	*	> 1	> 1	> 1	> 1
	Glass	*	> 1	> 1	> 1	> 1
	Formica® laminate	*	0.9 - 1.4	0.8 - 1.4	0.9 - 1.4	0.9 - 1.4
	Wood	*	0.9 - 1.4	0.8 - 1.4	0.9 - 1.4	0.9 - 1.4
*Two important laws of friction applicable to 3M™ Bumpon™ Resilient Rollstock are: (1) Friction is independent of the area of contact between solids. (2) Friction is proportional to the load between solid surfaces. Thus, if the load (weight) is doubled, the force required to cause surface sliding is also doubled. This is expressed mathematically as follows: Sliding force = (kinetic coefficient of friction) x (weight)						
<b>Abrasion Resistance Taber H 18, 1 kg, g/1000 cycles</b>	ASTM-C-501	*	1.7 - 1.9	1.8 - 2.0	1.7 - 1.9	1.7 - 1.9
<b>Tensile lb./in.<sup>2</sup> (kPa)</b>	ASTM-D-412, Die A	*	600 (4140)	120 (830)	600 (4140)	600 (4140)
<b>Elongation, %</b>	ASTM-D-412, Die A	*	100	100	100	100
<b>Compression Set, %</b>	ASTM-D-1056 (50% deflection)	8 10	– –	12 14	– –	– –
	ASTM-D-395 (25% deflection)	– –	3 4	– –	3 4	3 4
<b>Dielectric Strength, volts/mil</b>	ASTM-D-1000	*	200	140	200	200
<b>Flammability Listing</b>	UL Classification	*	UL94HB	UL94HBF (except SJ5916)	UL94HB	UL94HB
<b>Stain Resistance**</b>	3M - 24 hrs. @ 158°F against white paint, 7 days exposed to UV	No staining observed				
<b>Ozone and Oxygen Resistance**</b>	3M - 30 days @ 50 ppm ozone	No visual deterioration				
<b>Solvent and Fuel Resistance**</b>	3M - 24 hr. immersion					
	5% Detergent in water	No apparent effect				
	25% Ammonia in water	No apparent effect				
	Bleach	No apparent effect				
	Hydrochloric Acid (1 normal solution)	No apparent effect				
	Diesel Fuel	No apparent effect				
	Auto Oil	No apparent effect				
	Isopropyl Alcohol	Slight effect (swelling)				
	Heptane	Slight effect (swelling)				
	Toluol	Considerable effect (swelling)				
	Lacquer Thinner	Considerable effect (swelling)				
<b>Load Tolerance</b>	The "recommended" maximum load which Bumpon Resilient Rollstock series SJ5800, SJ6000 and SJ6200 will support is 100 psi (690 kPa) at 70°F (21°C) to 120°F (49°C).					
<b>Environmental Performance</b>	Bumpon Resilient Rollstock is intended for interior applications where resilience and all other physical properties will remain unchanged. When exposed to UV light for extended periods, some discoloration may occur. Bumpon resilient rollstock may be used outdoors in a protected area with some discoloration and chalking possible.					

\* = Not tested for Bumpon SJ5200 Series (soft foam)

\*\* = Reference test for time periods specified only.

Results may vary for different product application conditions.

## Relative Adhesive Performance Characteristics

**Note:** The following technical information and data should be considered representative or typical only and should not be used for specification purposes.

3M™ Bumpon™ Resilient Rollstock			
	SJ5800 Series	SJ5900 Series SJ6000 Series	SJ5200 Series SJ6200 Series
<b>Adhesive:</b>	Natural Rubber R-30	Acrylic A-20	Synthetic Rubber R-25
<b>Adhesion (Peel)</b> Low Surface Energy: High Surface Energy:	Good Good	Poor Good	Excellent Excellent
<b>Static Shear</b> 75°F (25°C): 120°F (49°C): 158°F (70°C)	Excellent Fair Poor	Excellent Excellent Excellent	Excellent Good Fair
<b>Initial Adhesion</b> Low Surface Energy: High Surface Energy:	Good Good	Poor Fair	Excellent Excellent
<b>Solvent Resistance:</b>	Good	Excellent	Good
<b>Age Life:</b>	Good	Excellent	Good

## Adhesive Performance

**Note:** The following technical information and data should be considered representative or typical only and should not be used for specification purposes.

The following table on peel adhesion provide representative performance characteristics of the adhesive systems used in the construction of 3M™ Bumpon™ Resilient Rollstock SJ5200, SJ5800, SJ5900, SJ6000, and SJ6200 series products.

### 90° Peel Adhesion

### Peel Force, oz. Per 1/2 inch

3M™ Bumpon™ Resilient Rollstock			
	SJ5800 Series	SJ5900 Series SJ6000 Series	SJ5200 Series SJ6200 Series
<b>Substrate:</b>	Natural Rubber R-30	Acrylic A-20	Synthetic Rubber R-25
<b>Polypropylene</b>	25	3	52
<b>Polystyrene</b>	25	11	55
<b>ABS</b>	25	25	55
<b>Stainless Steel</b>	22	25	55
<b>Aluminum</b>	22	25	55

3M Test Method TM-2011; 72 hour dwell, 1/2 inch wide samples pulled at 12 inches per minute. Testing completed using Bumpon Resilient Rollstock products SJ5816, SJ6016, and SJ6216.

## Adhesive Description

**Natural Rubber (R-30)** – Used in the construction of 3M™ Bumpon™ Resilient Rollstock SJ5800 Series products. This high tack adhesive system provides excellent initial adhesion and has the capability of providing excellent adhesion to a wide variety of surfaces including many low surface energy surfaces such as polypropylene, polyethylene and powder coated paints. This adhesive system shows reduced shear properties at elevated temperatures..

**Acrylic (A-20)** – Used in construction of 3M™ Bumpon™ Resilient Rollstock SJ5900 and SJ6000 Series products. This high strength adhesive system provides excellent shear strength properties. The adhesive has the capability of providing excellent adhesion to many high surface energy substrates such as metals, ABS, polycarbonate and acrylic. When adhesion is required on low surface energy substrates (ie, polypropylene, polyethylene, etc.) acrylic-based adhesives do not perform as well as rubber-based adhesives.

**Synthetic Rubber (R-25)** – Used in the construction of 3M™ Bumpon™ Resilient Rollstock SJ6200 Series products. This very high tack adhesive system provides excellent initial adhesion and has the capability of providing excellent adhesion to a wide variety of surfaces including many low surface energy surfaces such as polypropylene, polyethylene and powder coated paints. Improved die-cutting performance with new polyester (PET) release liner. This adhesive system shows reduced shear properties at elevated temperatures.

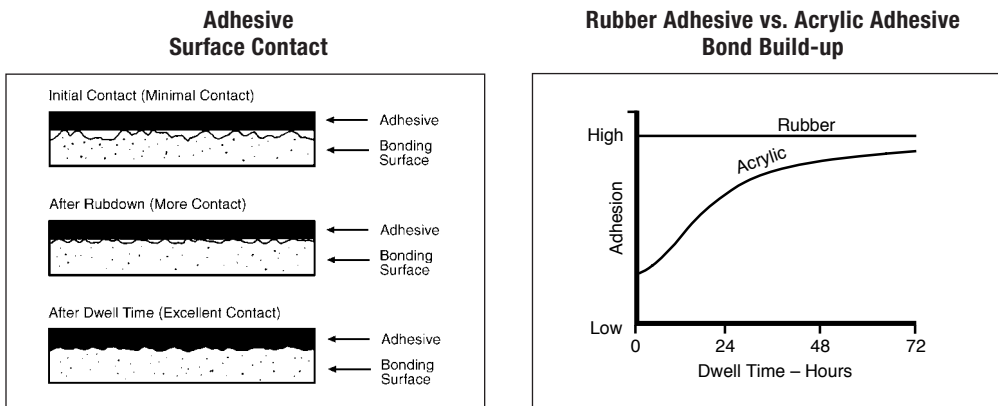
## Application Techniques

**Application Temperature:** 40°F (5°C) to 125°F (52°C)

**Service Temperature:** -30°F (-34°C) to 150°F (66°C)  
 225°F (107°C) intermittent exposure

To obtain maximum adhesion, surfaces should be flat, dry, and free of contaminants. Surface contact is essential to adhesive performance. To maximize contact on a substrate:

- Clean surfaces with low strength solvent such as isopropyl alcohol (rubbing alcohol) or heptane. **Note:** Be sure to follow the solvent manufacturer’s precautions and directions for use when using solvents.
- Apply firm pressure to help increase the cold flow and contact of the adhesive with the substrate.
- Allow time (dwell) to increase the surface contact and adhesion (see illustration below).



**Note:** Product selection is ultimately the responsibility of the user and should conduct their own tests under actual use and storage conditions to determine whether product is fit for a particular purpose and user’s method of application.

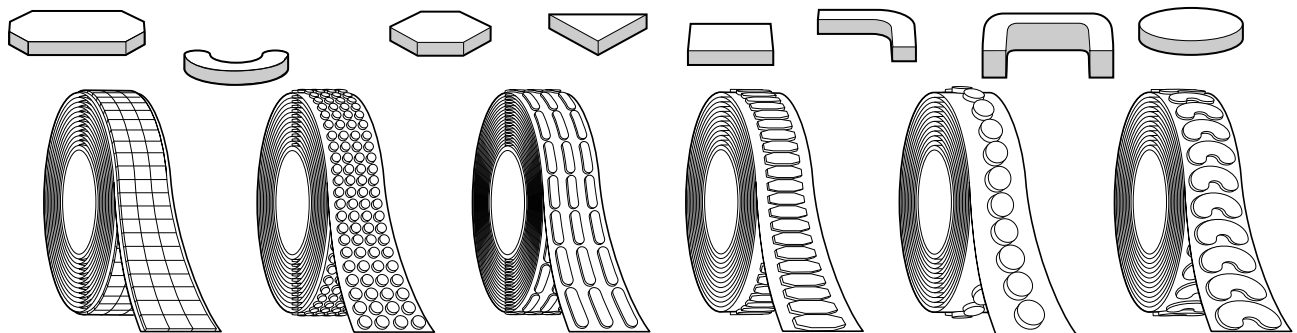
## Die Cut Considerations

- Very important that knives be sharp.
- Although rotary die cutting can be used for thicker materials ( $\geq 1/16$  inches), distortion in the die cut shape is possible using this die cutting method. Flat bed die cutting is recommended for thicker materials.
- The R-25 (synthetic rubber) adhesive system is very firm (tough). It can be more difficult to die cut versus the R-30 and A-20 adhesive systems. Also, the R-25 adhesive system is inherently stringy; as a result, if the adhesive is not thoroughly cut, the adhesive may have a tendency to string-out when the die cut parts are removed from the release liner quickly or by using a snapping motion. The adhesive string-out will not diminish the performance of the product.
- Some re-welding (tendency of the adhesive system to flow back together after die cutting) is possible with the R-25 adhesive system. Exposure to high temperature (greater than the recommended storage temperature of 60° to 80°F [16° to 27°C]) in combination with time and pressure will increase the tendency of re-welding.

## Die Cut Examples

3M™ Bumpon™ Resilient Rollstock Products can be die cut to a variety of shapes and sizes.

The following examples illustrate just a few of the possibilities.



## Storage

Store in original cartons at 60° to 80°F (16° to 27°C) and 40 to 50% relative humidity.

## Shelf Life

To obtain best performance, use this product within 18 months from date of manufacture.

## Certification/Recognition

**MSDS:** Refer to Product Label and Material Safety Data Sheet for Health and Safety Information before using this product.

**TSCA:** This product is defined as an article under the Toxic Substances Control Act and therefore, it is exempt from inventory listing requirements.

## For Additional Information

To request additional product information or to arrange for sales assistance, call toll free 1-800-251-8634. Address correspondence to: 3M, Electronics Markets Materials Division, 3M Center, Building 225-3S-06, St. Paul, MN 55144-1000. Our fax number is 651-778-4244 or 1-877-369-2923. In Canada, phone: 1-800-364-3577. In Puerto Rico, phone: 1-787-750-3000. In Mexico, phone: 52-70-04-00.

## Important Notice

All statements, technical information, and recommendations related to 3M's products are based on information believed to be reliable, but the accuracy or completeness is not guaranteed. Before using this product, you must evaluate it and determine if it is suitable for your intended application. You assume all risks and liability associated with such use.

Any statements related to the product which are not contained in 3M's current publications, or any contrary statements contained on your purchase order shall have no force or effect unless expressly agreed upon, in writing, by an authorized officer of 3M.

## Warranty; Limited Remedy; Limited Liability.

This product will be free from defects in material and manufacture at the time of purchase. **3M MAKES NO OTHER WARRANTIES INCLUDING, BUT NOT LIMITED TO, ANY IMPLIED WARRANTY OF MERCHANTABILITY OR FITNESS FOR A PARTICULAR PURPOSE.** If this product is defective within the warranty period stated above, your exclusive remedy shall be, at 3M's option, to replace or repair the 3M product or refund the purchase price of the 3M product. **Except where prohibited by law, 3M will not be liable for any indirect, special, incidental or consequential loss or damage arising from this 3M product, regardless of the legal theory asserted.**



**Electronics Markets Materials Division**  
3M Center, Building 225-3S-06  
St. Paul, MN 55144-1000  
1-800-251-8634 phone  
651-778-4244 fax  
www.3M.com/Bumpon

3M and Bumpon are trademarks of  
3M Company.  
Formica is a registered trademark of  
the Formica Corporation.  
Please recycle. Printed in U.S.A.  
© 3M 2012. All rights reserved.  
60-5002-0523-6

